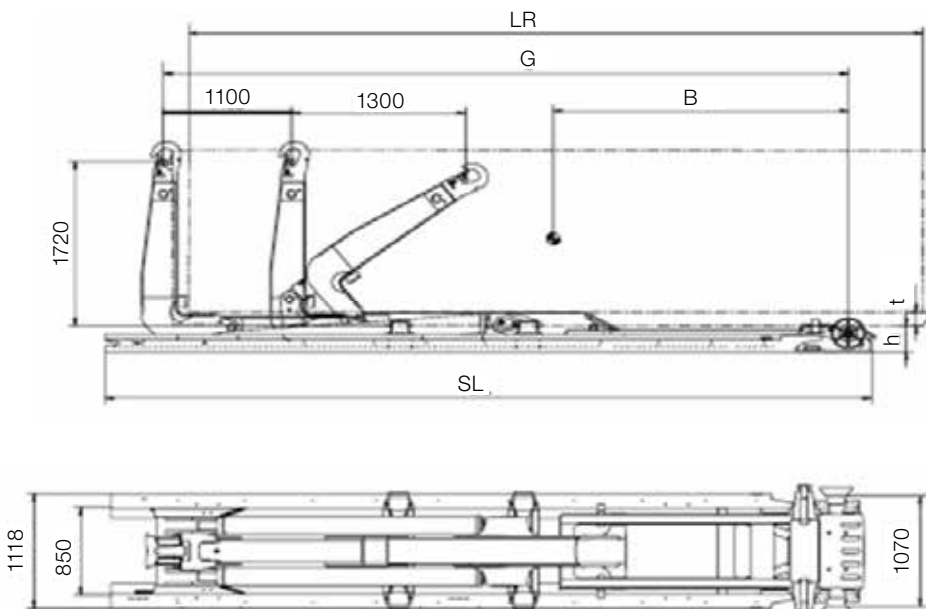


MULTILIFT XP22Z

XR POWER RANGE HOOKLIFTS

Technical data

Type	XP22Z		
Vehicle type	3 axle		
GVW of the vehicle (t)	26		
Capacity (t)	22		
Model	XP22Z.51	XP22Z.53	XP22Z.56
G-length	51	53	56
System weight (kg) *	2690	2720	2770
Tipping angle (°)	53	49	49
LR = Body length (min - max) (m) internal	3,2 - 6,1	3,5 - 6,3	3,8 - 6,6
SL = Subframe length (mm) **	5753	5983	6283
B = Centre of gravity (mm)	2800	2950	3150
G = Exact G-length (mm)	5080	5320	5610
LH = Min operating height (mm)	2720	2720	2800
Max. operating pressure (MPa)	30		
Recommended oil flow (l/min)	100		
t = Min. free tunnel height (body) (mm)	125		
h = Installation height (mm)	250		
HH = Hook height (mm)	1570		



* Weight includes hydraulic body locking and excludes oil tank and oil.

** The subframe length (SL) can be reduced to achieve a final installation length. The minimum installation length depends upon country and control valve position. For an exact installation length dimension please contact your local MULTILIFT dealer.

MULTILIFT equipments meet the demands set forth in the EU Machine Directive and they are CE marked. We reserve the rights for modifications. Illustrations do not always show an equipment in standard version.

BD-HIAB-XP22Z-EN_150508

TECHNICAL INFORMATION

Sales contact

HIAB Australia
39-43 Deans Court
Dandenong South VIC 3175
AUSTRALIA

Phone (03) 8793 3400
Fax (03) 8793 3455
www.au.hiab.com